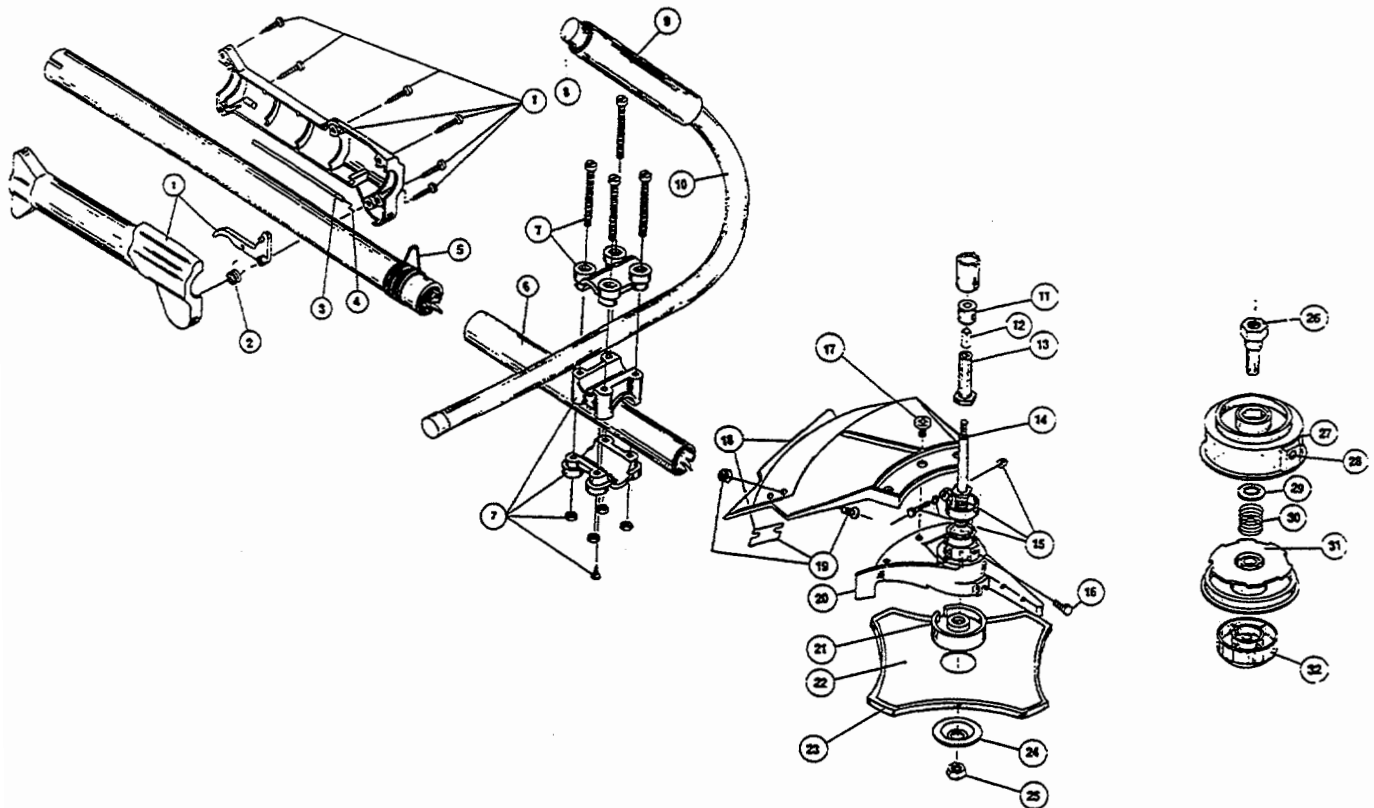


BOOM & TRIMMER PARTS - IDC 540



| Item | Part No. | Description |
|------|----------|--|
| 1 | 180017 | Throttle Housing and Trigger Assembly |
| 2 | 610314 | Throttle Trigger Spring |
| 3 | 180021 | Throttle Cable Housing |
| 4 | 180127 | Throttle Cable |
| 5 | 610327 | Shoulder Strap Clamp |
| 6 | 147595 | Drive Shaft Housing Assembly |
| 7 | 683295 | Handle Bracket Assembly |
| 8 | 612021 | Tube Closure |
| 9 | 612831 | Grip |
| 10 | 180286 | J-Handle Assembly (includes items 8 and 9) |
| 11 | 180287 | Retainer Sleeve (includes item 16) |
| 12 | 682064 | Flexible Drive Shaft |
| 13 | 610303 | Square Drive |
| 14 | 145893 | Drive Shaft |
| 15 | 153597 | Clamp Assembly |
| 16 | 180288 | Mounting Bolt Assembly |
| 17 | 683304 | Guard Mounting Screws |
| 18 | 147597 | Guard and Blade Assembly |
| 19 | 682061 | Blade Assembly |
| 20 | 153598 | Bearing Housing Assembly |
| 21 | 147006 | Blade Driver |
| 22 | 145873 | Blade |

| Item | Part No. | Description |
|------|----------|---------------------------------|
| 23 | 147670 | Blade Tooth Cover |
| 24 | 147007 | Lower Blade Holder |
| 25 | 145895 | Blade Retaining Nut |
| 26 | 145896 | Spool Shaft |
| 27 | 153599 | Outer Spool and Eyelet Assembly |
| 28 | 145566 | Eyelet |
| 29 | 612026 | Retainer (10 pack) |
| 30 | 610317 | Spring |
| 31 | 153600 | Inner Reel |
| 32 | 153066 | Bump Head Knob Assembly |

Optional Accessories

- * 153577 Spool and 30 ft. Line (dual)
- * 610375 Monofilament Cutting Line, 50 ft.
- * 682075 Shoulder Strap Assembly
- * 147541 IDC 2-Cycle Oil (4 oz. can)
- * 147299 Locking Rod Tool
- * 153700 Complete Head Assembly (items 26-32)
- * 180015 Blade Retaining Kit (items 24 and 25)
- * not shown